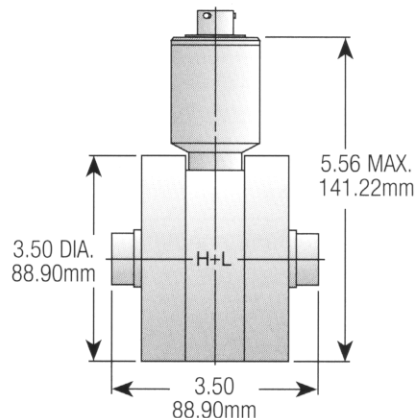


# Model 470 Pressure Transducer

## STANDARD SPECIFICATIONS

<b>Pressure Media</b> . . . . .	Fluids or gases compatible with 316 and 347 stainless steels, Teflon O-ring
<b>Case Material</b> . . . . .	347L & 316L Stainless Steel
<b>Supply Voltage</b> . . . . .	8-36 Vdc
<b>Output</b> . . . . .	0-5 Vdc
<b>Zero, Span</b> . . . . .	Site adjustable by potentiometers
<b>Zero Shift with Line Pressure</b> . . . . .	Within 1% FSO Within 3% FSO for 1 & 3 psid ranges
<b>Insulation Resistance</b> . . . . .	Greater than 100 megohms at 50 Vdc between all terminals in parallel and case at 70° F
<b>Accuracy</b> . . . . .	±0.30% of span including linearity, hysteresis, and repeatability (typically 0.15%) ±0.45% for 1 & 3 psid ranges
<b>Operating Temperature Range</b> . . . . .	-40° F to +180° F (-40° C to +82° C)
<b>Compensated Temperature Range</b> . . . . .	0° F to +160° F (-18° C to +71° C)
<b>Thermal Zero Error</b> . . . . .	Less than ±0.010% of span per °F over compensated temperature range Less than ±0.020% for 1 & 3 psid ranges
<b>Thermal Sensitivity Error</b> . . . . .	Less than ±0.020% of span per °F over compensated temperature range
<b>Differential Overload Pressure</b> . . . . .	1,200 psid

<b>Rated Line Pressure</b> . . . . .	1,200 psig
<b>Pressure Fitting</b> . . . . .	7/16"-20 internal thread per MS33649-4
<b>Electrical Fitting</b> . . . . .	Stainless steel receptacle to mate with MS3116-10-6S
<b>WIRING:</b>	A. signal B. common C. +excitation
<b>Weight</b> . . . . .	Approximately 6.5 pounds



## HOW TO ORDER

All 12 spaces must be used.

**Spaces 1-3** Specify model number.

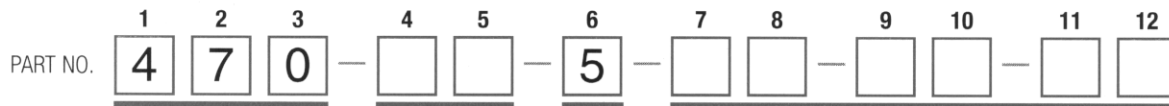
**Spaces 4 and 5** Choose pressure range. If non-standard range, pick the closest range above the special.

*Notes:* 1) Option "OF" must be used.  
2) See conversion factors below.

**Space 6** Specify pressure format.

**Spaces 7-12** Specify options in the order that they appear alphabetically.

*Notes on Options:* 1) Place the code AA in unused option spaces.  
2) Consult factory for more than 3 options.



MODEL NO. 470

### Options

#### CONVERSION FACTORS

Multiply Bar by 14.505 to get PSI  
Multiply kPa by .145 to get PSI

#### PRESSURE RANGES (PSI)

BA: 0-1	BG: 0-25	BN: 0-200
BB: 0-3	*BH: 0-30	BO: 0-250
BC: 0-5	BJ: 0-50	BP: 0-300
BD: 0-10	BK: 0-75	BQ: 0-400
BE: 0-15	BL: 0-100	BR: 0-500
BF: 0-20	BM: 0-150	

\*available from stock

#### PRESSURE FORMAT

5: PSID

#### NO OPTIONS

AA: None

#### ELECTRICAL CONNECTIONS

El: Minni-Mac Type  
EJ: DIN 43650 Form C  
EM: Cable Exit

#### PERFORMANCE OPTIONS

OA: Improved Accuracy  
OB: Improved Temp  
OD: Internal Cal. Shunt  
OF: Special Pressure Range (Please specify range & unit of measure)  
OG: Special 20 Point Calibration  
OI: Special Temp Range  
OP: EMI Input/Output Filtering

#### PRESSURE PORT ADAPTERS

PC: 1/4" NPT F  
PD: 1/4" NPT M