

OEM Pressure Transmitter

Model 414/514

ISO 9001 Qualified

Application

The pressure transmitter series X14 is used to measure pressure in liquids or gases. The pressure is converted into a linearized electric signal.

Advantages

- compact construction
- integrated amplifier
- standard output signal
- good price/performance ratio
- good media resistance

Model designation

Pressure transmitter Model X14 with thick-film sensing element

- | | |
|-----|---------------------------------|
| 514 | 4-20mA 2-wire output (standard) |
| 414 | 1-6V output |

Extra Codes

- /73 with fixed cable
- /76 wetted parts stainless steel
- /93 special ranges

Ranges

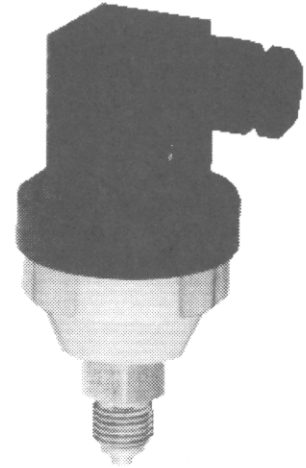
- | | | |
|-----|--------|-----|
| 30" | -0-20 | PSI |
| 30" | -0-50 | PSI |
| 30" | -0-100 | PSI |
| 30" | -0-200 | PSI |
| | 0-50 | PSI |
| | 0-100 | PSI |
| | 0-150 | PSI |
| | 0-250 | PSI |
| | 0-350 | PSI |
| | 0-500 | PSI |
| | 0-800 | PSI |
| | 0-1500 | PSI |

Technical Data

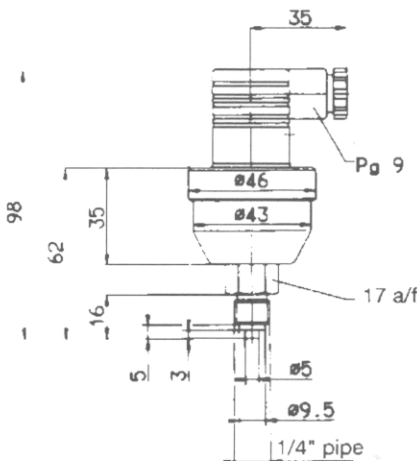
Overall accuracy: 1% accuracy to IEC 770
 Output signal: 4-20mA 2 wire or 1-6VDC
 Supply voltage: 11.5-30VDC
 Electrical connection: connector DIN 43650/AF up to AWG 14 standard or 3 cable 3' long (extra code /73)
 Wire:
 Housing material: polycarbonate, surface metalized
 Wetted parts: 316 stainless steel
 Connection: 1/4" NPT standard or 1/2" NPT optional
 Maximum over pressure: 2x range
 Hysteresis: < 0.5%

Ambient temperature: -40 to 185°F
 Media Temperature: -40 to 185°F
 Temperature error: <0.05% /K zero <0.05% /K span
 Protection: IP65 (Nema 5)

Electrical Connection:
 2-wire, 4-20 mA
 + on 1
 - on 2
 1-6V
 power + on 1
 - on 2
 signal - on 2
 + on 3



Dimensions (mm)



Code /73

