

TEST STAND PRESSURE TRANSDUCER

S0206 Series

Taber Model S0206 pressure transducer series is available in both amplified and non-amplified versions and is built with a rugged, reliable, stainless steel construction. Developed for Rocket and Jet engine test stands the S0206 series can measure static and dynamic pressure where high frequency response is required. The removable pressure cap utilizes metal to metal seals eliminating O-rings, allows access to clean the pressure cavity and replace the stainless steel diaphragms. The S0206 series is highly stable to mechanical and thermal shock environments. The sensing element was designed to be isolated from the diaphragm which improves thermal stability. Taber Model S0206 is available for broad pressure ranges.

- Millivolt (mV/V), Voltage (VDC) or Current (mA) output signal
- mA output option does not require regulated power supply
- Output short circuit protected
- Replaceable stainless steel diaphragms
- Mechanical overload protection
- Secondary containment
- Thermal Isolation
- 316 SS Wetted Materials (hydrogen compatible)
- Removable pressure cap to facilitate inspection and cleaning of pressure cavity
- PSI, Bar or MPa in absolute or gauge pressure options

AT TABER, WE CONSISTENTLY OUTPERFORM THE INDUSTRY STANDARDS TO GIVE YOU WHAT YOU REALLY NEED—PRESSURE TRANSDUCERS SPECIFICALLY ENGINEERED FOR THE MOST EXTREME ENVIRONMENTS.



The Taber Standard

Our bonded foil strain gage pressure transducers are manufactured to the highest standard of quality and engineered to meet your custom specifications.

S0206 SERIES PERFORMANCE SPECIFICATIONS

	3 mV / V	0-5 VDC	4-20 mA	OPTIONS <ul style="list-style-type: none"> Improved Static Error Band and Total Error Band Increased Proof and Burst Pressures Outputs up to 10 VDC
Output Signal	3 mV / V	0-5 VDC	4-20 mA	
Full Scale Output (FSO)	30 mV with 10 V input	5 VDC	16 mA	
Static Error Band	± 0.30% FSO using Best Fit Straight Line (BFSL) and Root Sum Squared (RSS) Method			
Total Error Band	± 1.5% FSO over entire Compensated Temperature Range (CTR)			
Maximum Expected Operating Pressure (MEOP)	0-34.5 BAR through 0-414 BAR 0-500 PSI through 0-6,000 PSI			
Proof Pressure	1.5 times MEOP			
Minimum Burst Pressure	2.5 times MEOP			

S0206 SERIES ENVIRONMENTAL SPECIFICATIONS

		OPTIONS <ul style="list-style-type: none"> Expanded temperature ranges
Compensated Temperature Range (CTR)	-34° C to +77° C (-30° F to +170° F)	
Operating Temperature	-54° C to +121° C (-65° F to +250° F)	

S0206 SERIES ELECTRICAL SPECIFICATIONS

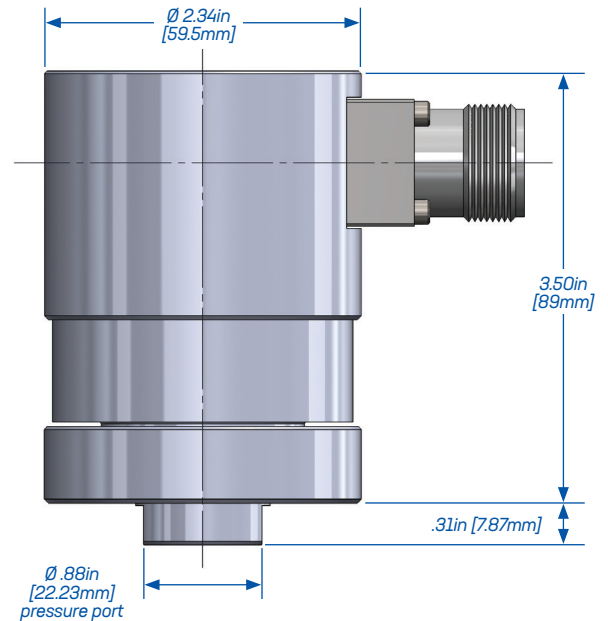
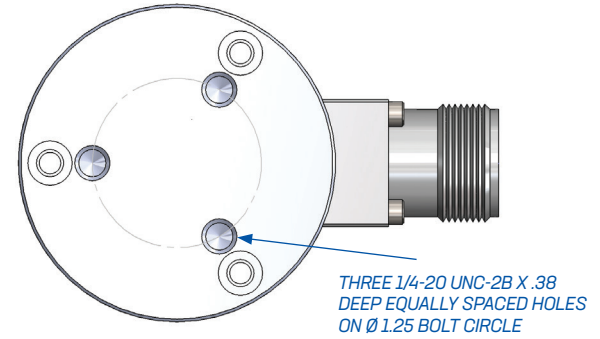
	3 mV / V	0-5 VDC	4-20 mA	OPTIONS <ul style="list-style-type: none"> Range of resistance values Wide selection of electrical receptacles including MIL-DTL-26482 and MIL-DTL-38999 Optional Excitation Voltages
Strain Gage Type	Resistive Bonded Foil			
Insulation Resistance	> 1 Gohm at 50 VDC			
Electrical Connection	MS3102-14S-6P per MIL-DTL-5015			
Mating Connector (not included)	MS3106-14S-6S or equivalent			
Excitation Voltage	5-15 VDC (10 VDC nominal) regulated power supply required	20-36 VDC (28 VDC nominal)	8-36 VDC (24 VDC nominal)	

S0206 SERIES MECHANICAL SPECIFICATIONS

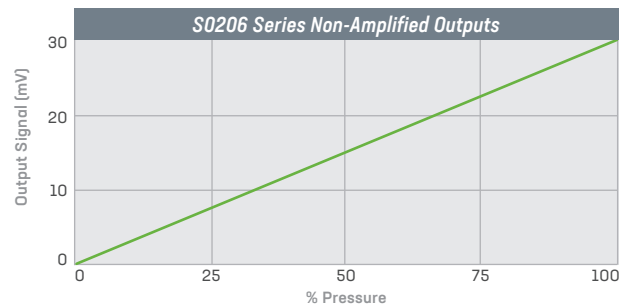
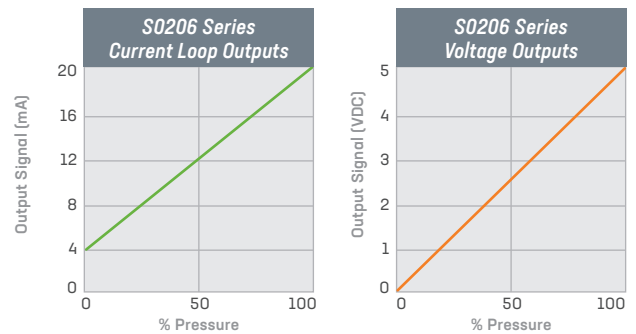
		OPTIONS <ul style="list-style-type: none"> Variety of pressure ports based on fluid compatibility Alternative construction materials
Wetted Parts Materials	316L, 347, Carp 20	
Weight	Typical 1.6 Kg	
Case Material	316L	
Pressure Port	AS5202-04 (MS33649-4) .4375-20 UNJF-3B female thread	

OPTIONAL FEATURES

- Internal shunt value at various percentages FSO at +21° C (+70° F)
- EMI/EMC filtering
- Special calibrations



REFERENCE DIMENSIONS



If your pressure transducer requires a unique electrical connector, material, pressure range, temperature compensation, calibration, accuracy, cable length, or any other special requirement, please contact a Taber Sales Engineer at 1-800-333-5300 or email sales@tabertransducer.com.