

SUBMERSIBLE PRESSURE TRANSDUCER

2000 / 2002 Series

Taber's 2000 / 2002 Submersible Series pressure transducer provides rugged and reliable performance for harsh subsea vehicles, oil and mining applications. A fully welded 17-4 PH stainless steel pressure media cavity allows for measurements up to 10,000 PSI (22,400 feet of sea water). The bonded foil strain gage diaphragm design provides stable signal fidelity with low hysteresis and non-repeatability errors.

- Voltage (VDC) or Current (mA) output signal
- Does not require regulated power supply
- 15,000 PSI maximum external case pressure
- Compatible with seawater
- Uses SEA CON® underwater Dry-Mate style receptacles
- Model 2000 Series output short circuit protected

AT TABER, WE CONSISTENTLY OUTPERFORM THE INDUSTRY STANDARDS TO GIVE YOU WHAT YOU REALLY NEED—PRESSURE TRANSDUCERS SPECIFICALLY ENGINEERED FOR THE MOST EXTREME ENVIRONMENTS.

MODEL 2000



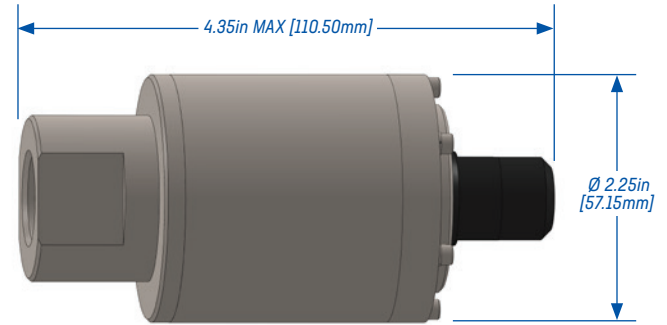
The Taber Standard

Our bonded foil strain gage pressure transducers are manufactured to the highest standard of quality and engineered to meet your custom specifications.

2000 / 2002 SERIES PERFORMANCE SPECIFICATIONS

	2000 Series	2002 Series	OPTIONS
Output Signal	0-5 VDC	4-20 mA	<ul style="list-style-type: none"> Improved Static Error Band and Total Error Band Increased Proof and Burst Pressures
Full Scale Output (FSO)	5 VDC	16 mA	
Static Error Band	±0.2% FSO using Best Fit Straight Line (BFSL) and Root Sum Squared (RSS) Method		
Total Error Band	±1.0% FSO over entire Compensated Temperature Range (CTR)		
Maximum Expected Operating Pressure (MEOP)*	0 through 10,000 PSI 0 through 689 BAR		
Proof Pressure	3 times MEOP up to 1,000 PSI 2 times MEOP over 1,000 PSI		
Minimum Burst Pressure	4.5 times MEOP		
Maximum External Case Pressure	15,000 PSI / 1,034 Bar		

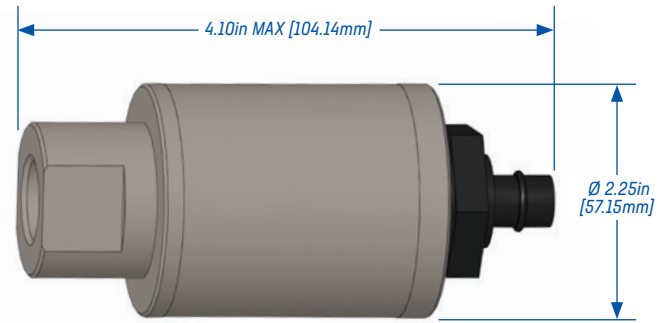
*Contact Taber for discrete pressure ranges.



2000 SERIES REFERENCE DIMENSIONS

2000 / 2002 SERIES ENVIRONMENTAL SPECIFICATIONS

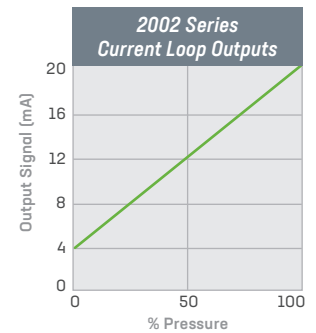
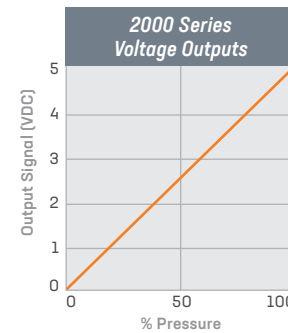
		OPTIONS
Compensated Temperature Range (CTR)	-34° C to +77° C [-30° F to +170° F]	<ul style="list-style-type: none"> Alternative compensated temperature range (CTR) requirements
Operating Temperature	-54° C to +93° C [-65° F to +200° F]	



2002 SERIES REFERENCE DIMENSIONS

2000 / 2002 SERIES ELECTRICAL SPECIFICATIONS

	0-5 VDC	4-20 mA	OPTIONS
Strain Gage Type	Resistive Bonded Foil		<ul style="list-style-type: none"> Custom cable lengths
Insulation Resistance	> 10 Gohm @ 50 VDC		
Electrical Receptacle	SEA CON® XSJ-5BCR	SEA CON® VSG-2BCL	
Mating Connector	SEA CON® XSJ-5CCP	SEA CON® VMG-2FS	
Cable	2' length	2' length plus G-FLS-X locking sleeve	
Excitation Voltage	20-36 VDC [28 VDC nominal]	8-36 VDC [24 VDC nominal]	



2000 / 2002 SERIES MECHANICAL SPECIFICATIONS

	2000 Series	2002 Series	OPTIONS
Diaphragm Material	17-4 PH stainless		<ul style="list-style-type: none"> Variety of pressure ports
Weight	Typical 1.3 Kg	Typical 980 g	
Case Material	17-4 PH stainless		
Pressure Port	1/2 NPT female		

OPTIONAL FEATURES

- Platinum RTD outputs: 100 Ohm, 1000 Ohm & 2000 Ohm
- Internal or external shunt value at various percentages FSO at +21° C (+70° F)

If your pressure transducer requires a unique electrical connector, material, pressure range, temperature compensation, calibration, accuracy, cable length, or any other special requirement, please **contact a Taber Sales Engineer at 1-800-333-5300 or email sales@tabertransducer.com.**