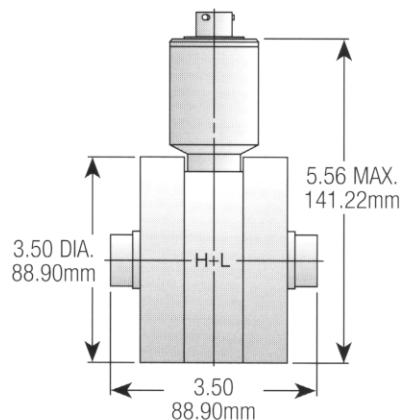


Model 570 Pressure Transducer

STANDARD SPECIFICATIONS

| | |
|---|---|
| Pressure Media | Fluids or gases compatible with 316 and 347 stainless steels, Teflon O-ring |
| Case Material | 347L & 316L Stainless Steel |
| Supply Voltage | 8-40 Vdc |
| Output | 4-20 mA |
| Zero, Span | Site adjustable by potentiometers |
| Zero Shift with Line Pressure | Within 1% FSO Within 3% FSO for 1 & 3 psid ranges |
| Insulation Resistance | Greater than 100 megohms at 50 Vdc between all terminals in parallel and case at 70° F |
| Accuracy | ±0.30% of span including linearity, hysteresis, and repeatability (typically 0.15%) ±0.45% for 1 & 3 psid ranges |
| Operating Temperature Range | -40° F to +180° F (-40° C to +82° C) |
| Compensated Temperature Range | 0° F to +160° F (-18° C to +71° C) |
| Thermal Zero Error | Less than ±0.010% of span per °F over compensated temperature range Less than ±0.020% for 1 & 3 psid ranges |
| Thermal Sensitivity Error | Less than ±0.020% of span per °F over compensated temperature range |
| Differential Overload Pressure | 1,200 psid |

| | |
|--------------------------------------|--|
| Rated Line Pressure | 1,200 psig |
| Pressure Fitting | 7/16"-20 internal thread per MS33649-4 |
| Electrical Fitting | Stainless steel receptacle to mate with MS3116-10-6S WIRING: A. + B. - |
| Weight | Approximately 6.5 pounds |



HOW TO ORDER

All 12 spaces must be used.

Spaces 1-3 Specify model number.

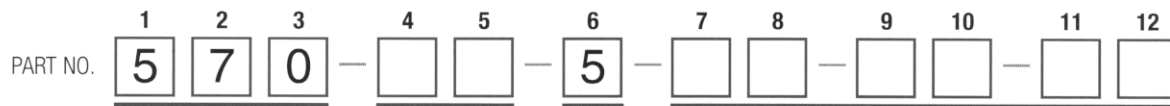
Spaces 4 and 5 Choose pressure range. If non-standard range, pick the closest range above the special.

Notes: 1) Option "OF" must be used.
2) See conversion factors below.

Space 6 Specify pressure format.

Spaces 7-12 Specify options in the order that they appear alphabetically.

Notes on Options: 1) Place the code AA in unused option spaces.
2) Consult factory for more than 3 options.



MODEL NO. 570

Options

CONVERSION FACTORS

Multiply Bar by 14.505 to get PSI
Multiply kPa by .145 to get PSI

PRESSURE RANGES (PSI)

| | | |
|----------|-----------|-----------|
| BA: 0-1 | BG: 0-25 | BN: 0-200 |
| BB: 0-3 | *BH: 0-30 | BO: 0-250 |
| BC: 0-5 | BJ: 0-50 | BP: 0-300 |
| BD: 0-10 | BK: 0-75 | BQ: 0-400 |
| BE: 0-15 | BL: 0-100 | BR: 0-500 |
| BF: 0-20 | BM: 0-150 | |

*available from stock

PRESSURE FORMAT

5: PSID

NO OPTIONS

AA: None

ELECTRICAL CONNECTIONS

El: Minni-Mac Type
EJ: DIN 43650 Form C
EN: Cable Exit

PERFORMANCE OPTIONS

OA: Improved Accuracy
OB: Improved Temp
OD: Internal Cal. Shunt
OF: Special Pressure Range (Please specify range & unit of measure)
OG: Special 20 Point Calibration
OI: Special Temp Range
OP: EMI Input/Output Filtering

PRESSURE PORT ADAPTERS

PC: 1/4" NPT F
PD: 1/4" NPT M