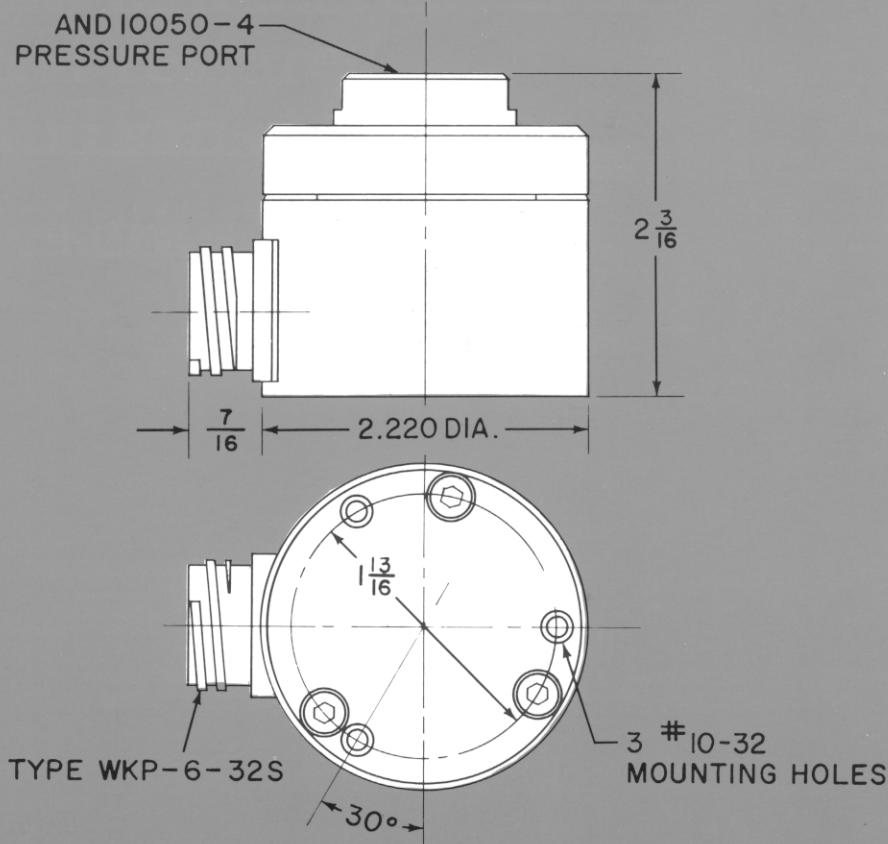


# Pressure Transducers

2301

**PRESSURE RANGES: 0-500, 0-750, 0-1000, 0-1500, 0-2000, 0-2500, 0-3000, 0-3500, 0-4000, 0-5000 psig**

**TABER**



## preliminary

**PRESSURE RANGE:** 0-500, 0-750, 0-1000, 0-1500, 0-2000, 0-2500, 0-3000, 0-3500, 0-4000, 0-5000, PSIG.

**MEASURAND FLUIDS:** All fluids compatible with 17-4PH and 321 stainless steel and teflon.

**FULL SCALE OUTPUT:** Greater than 3.0 mv open circuit per volt excitation.

**ZERO BALANCE:** 0.00 ±0.06 mv per volt at +77°F.

### END POINT LINEARITY:

Within ±0.75% FSO for 0-500 PSI Range.

Within ±0.50% FSO for 0-750 & 0-1000 PSI Ranges.

Within ±0.35% FSO for 0-1500 & 0-2000 PSI Ranges.

Within ±0.25% FSO for 0-2500 thru 0-5000 PSI Ranges.

**HYSTERESIS:** Less than 0.10% FSO.

**REPEATABILITY:** Within 0.10% FSO.

**RESOLUTION:** Infinite.

**PROOF PRESSURE:** 1.5 times FS pressure will not cause changes in transducer performance characteristics.

**BURST PRESSURE RATING:** Greater than 2.5 times FS pressure.

**COMPENSATED TEMPERATURE RANGE:** -30°F to +170°F.

**OPERATING TEMPERATURE RANGE:** -100°F to +225°F.

**THERMAL SENSITIVITY SHIFT:** Less than ±1.0% FSO per 100F° over compensated temperature range.

**THERMAL ZERO SHIFT:** Less than ±1.0% FSO per 100F° over compensated temperature range.

**EXCITATION:** 10 volts DC or AC recommended  
18 volts DC or AC maximum

**INPUT IMPEDANCE:** 375 ohms nominal.

**OUTPUT IMPEDANCE:** 350 ±5.0 ohms.

**INSULATION RESISTANCE:** Greater than 10,000 megohms at 50 VDC between all terminals in parallel and the transducer case, at a temperature of +77°F.

**PRESSURE CONNECTION:** 7/16-20 Internal Thread per AND-10050-4. Available with 1/4-inch NPT or External Thread MS33656-4.

**ELECTRICAL RECEPTACLE:** Cannon Type WKP-6-32S:

Pin 1 & 5	Plus Input
Pin 2 & 6	Minus Input
Pin 3	Plus Output
Pin 4	Minus Output

**ENCLOSURE:** Entirely sealed 17-4PH and 303 Stainless Steel.

**WEIGHT:** Less than 30 ounces.